

Service Service Service

Product Service Group CE Audio

Service Information

Already published Service Informations :

CHANGES DURING PRODUCTION

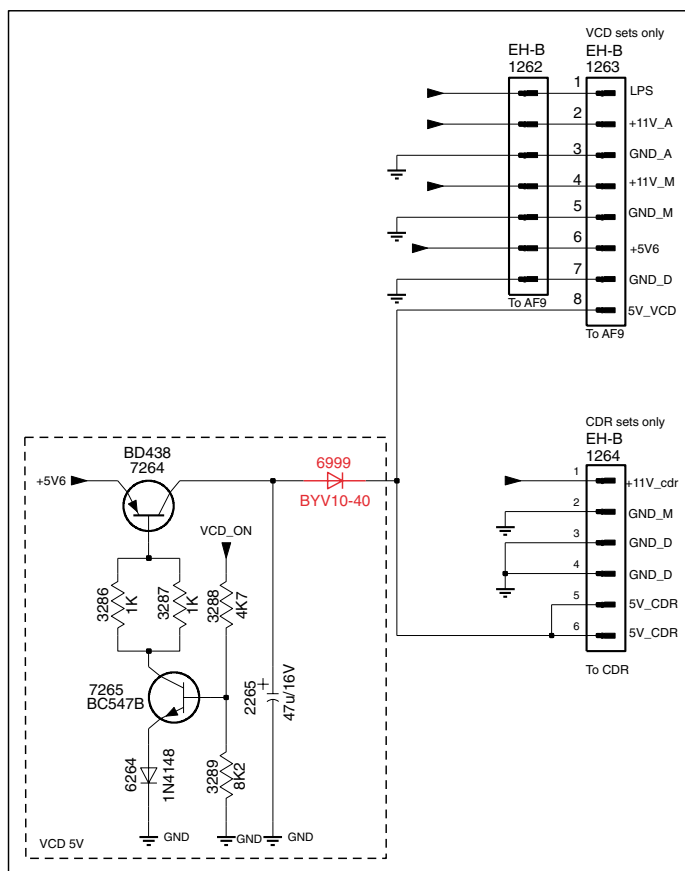
MMPWR 100W MODULE - MAINS BOARD

*From production week 0218 onwards new Mains & Mains Socket pc boards is introduced due to process improvement. The board can be recognized by the printing mark 12NC - 3139 113 34822. For this reason new pc board layout is enclosed.

MMPWR 100W MODULE - L/R AMP. & SUPPLY BOARD

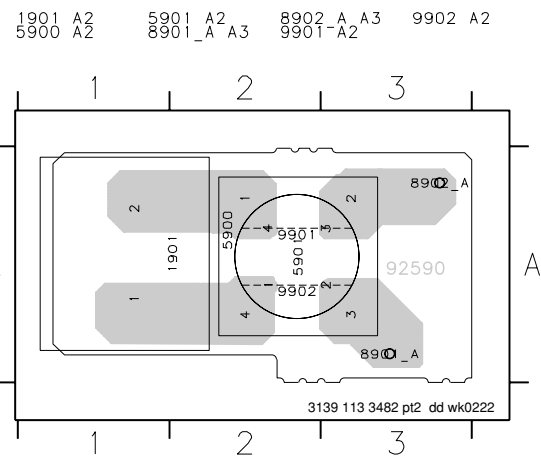
*From production week 0218 onwards pt.5 board is introduced due to addition of diode 6999 into same location as 9495 (see Figure 1). This change is for other set application and the board can be recognized by the printing mark 12NC - 3139 113 34345.

Figure 1



MAINS SOCKET - COPPER SIDE VIEW

MAINS BOARD - COPPER SIDE VIEW



1902 C1	1926 A2	2925 B5	2944 A7	3905 D7	3953 C8	5910 B2	6901 D6	6917 D8	7901 D7	9704 B3	9718 D2	9736 B6	9750 B7	9910 D7
1903 D5	2901 D6	2926 B5	2945 A8	3906 D7	3954 C8	5911 B2	6902 D6	6918 D8	7902 D7	9705 B3	9719 D2	9737 B6	9751 B7	9911 B4
1904 D6	2902 C6	2927 A6	2946 A8	3907 C7	3955 C8	5912 B2	6903 D6	6919 B5	7911 D7	9706 B3	9720 A3	9738 B6	9752 C8	9912 A4
1905 C1	2903 C6	2928 B7	2947 A8	3908 D8	5004 D3	5913 B3	6904 C6	6920 B5	7912 C8	9707 B3	9721 A4	9739 B6	9753 C8	9913 B3
1911 B8	2904 D6	2929 A5	2948 C8	3909 D7	5005 D3	5914 D8	6905 D7	6923 A7	7915 C8	9708 B3	9722 A4	9741 B7	9754 C7	9914 A3
1912 B8	2905 D6	2930 A5	2949 A8	6906 D7	5006 D3	5915 B3	6906 D7	6924 A7	7916 C8	9709 B2	9723 A4	9742 C7	9755 C7	9915 A7
1913 B8	2911 D8	2931 A4	2953 C8	6907 D6	5007 D3	5916 B3	6907 D6	6925 A7	8230 A4	9710 B2	9724 A4	9743 C7	9759 A5	9916 C7
1914 B7	2912 D8	2932 A4	2954 A8	6908 C7	5008 D2	5917 B3	6908 C7	6926 A7	8901 B B1	9711 B2	9725 B6	9744 A8	9760 B4	9917 C7
1921 B4	2913 D8	2933 A6	2958 C6	6909 C7	5902 B1	5918 B4	6909 C7	6927 A7	8902 B B1	9712 D4	9726 D4	9745 B6	9900 D6	9920 C7
1922 B4	2921 A5	2934 B7	3901 C5	6910 C6	5903 D5	5919 B4	6910 C6	6928 A7	9700 B4 B1	9713 D3	9727 B5	9746 B6	9903 B1	9921 A7
1923 B3	2922 A5	2941 A7	3902 D5	6911 C7	5904 A8	5920 B4	6911 C7	6930 C8	9701 B4	9714 D3	9733 B5	9747 B6	9904 B1	9922 A7
1924 B3	2923 A5	2942 A7	3903 D7	6915 D8	5905 C6	5921 B4	6915 D8	6930 C8	9702 B4	9715 D3	9734 A5	9748 A6	9907 D5	9923 A8
1925 B2	2924 B5	2943 A7	3904 D7	6916 D8	5906 B1	6900 D7	6916 D8	6956 A7	9703 B4	9716 D3	9735 A7	9749 B8	9908 D6	

